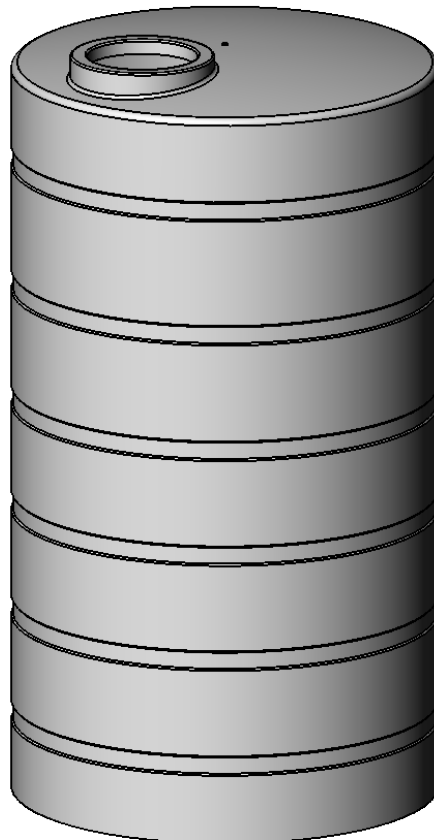
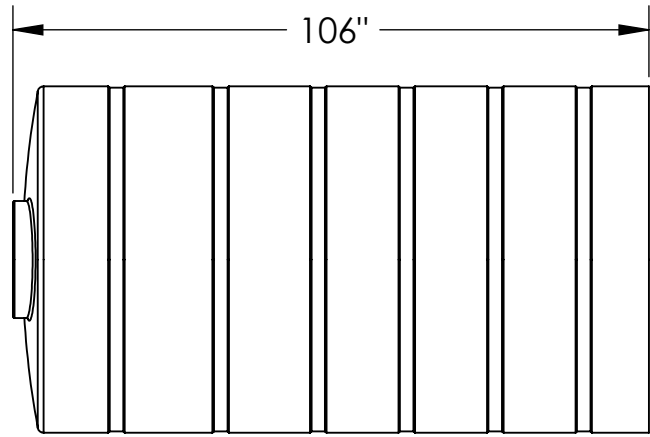
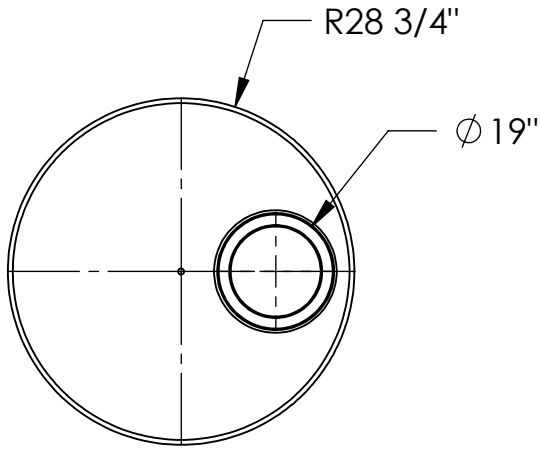


1000 Imp. Gal. Vertical

REV.

P0



| | |
|----------------|------|
| Imp Gal | 1000 |
| Litres | 4546 |
| US Gal | 1200 |

Shrinkage: 3% / All dimensions are ±1



2530-39th Street N.
Lethbridge, AB T1H 5J2

FLEXAHOPPER PLASTICS LTD