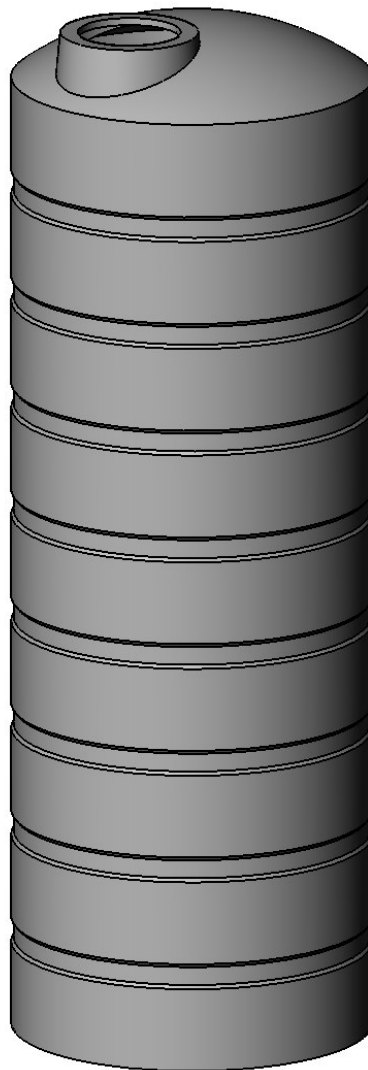
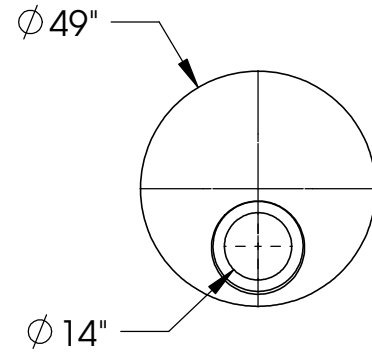
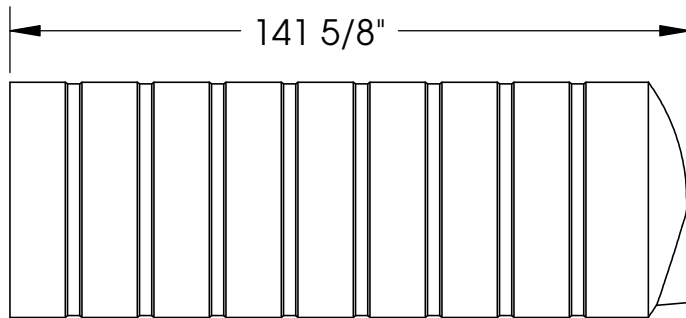


925 Imp. Gal. VCT

REV.
P0



Imp Gal	925
Litres	4208
US Gal	1111

Shrinkage: 3% / All dimensions are ± 1



2530-39th Street N.
Lethbridge, AB T1H 5J2

FLEXAHOPPER PLASTICS LTD