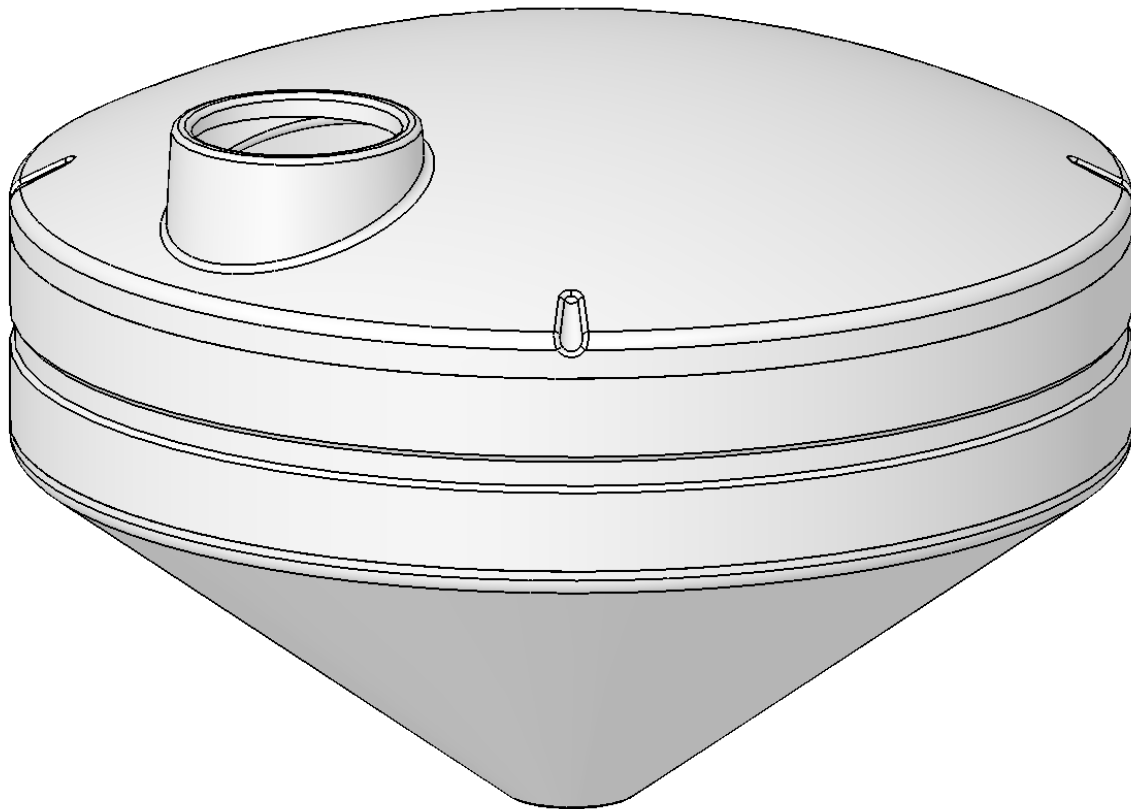
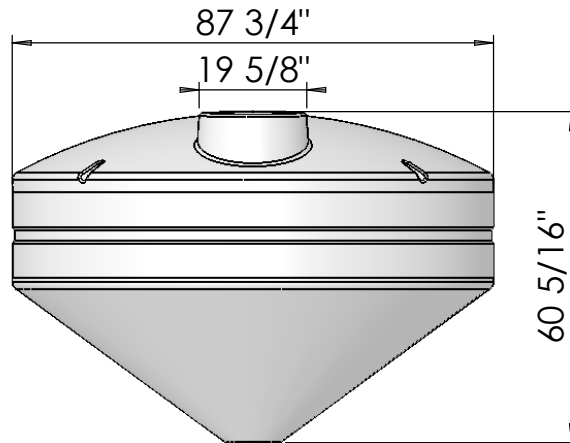


# 775 IMP GAL CONE BOTTOM TANK

REV.  
P0



Imp Gal	787
Litres	0000
US Gal	0000



2530-39th Street N.  
Lethbridge, AB T1H 5J2

**FLEXAHOPPER PLASTICS LTD**

Shrinkage: 3% / All dimensions are  $\pm 1$