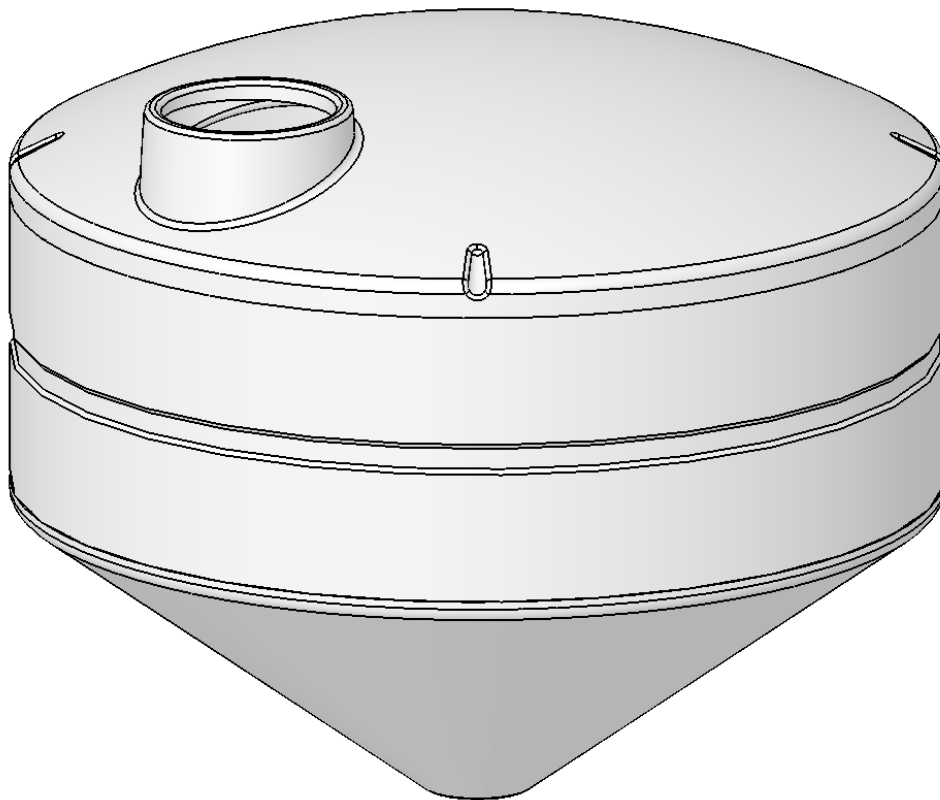
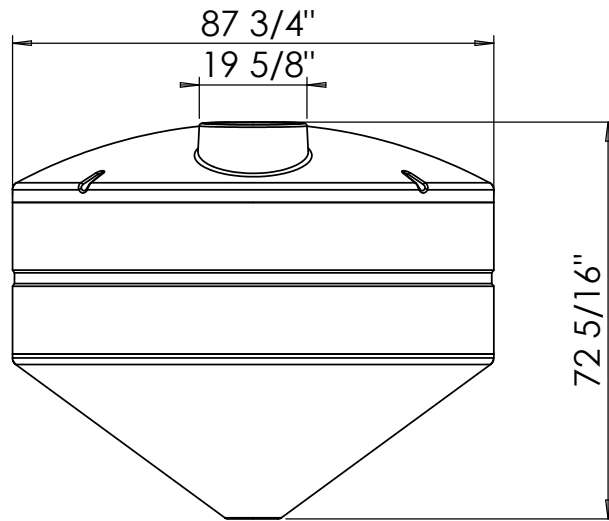


# 1050 IMP GAL CONE BOTTOM TANK

REV.  
P0



Imp Gal	1060
Litres	0000
US Gal	0000

Shrinkage: 3% / All dimensions are ±1



2530-39th Street N.  
Lethbridge, AB T1H 5J2

**FLEXAHOPPER PLASTICS LTD**