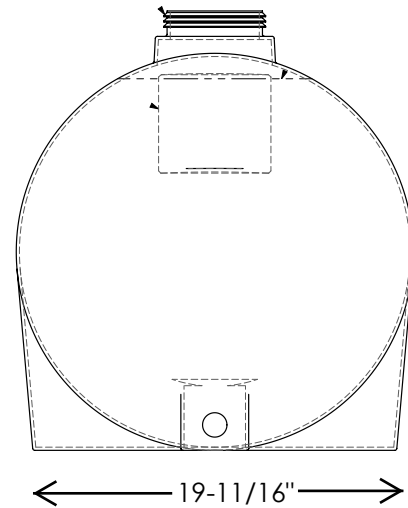
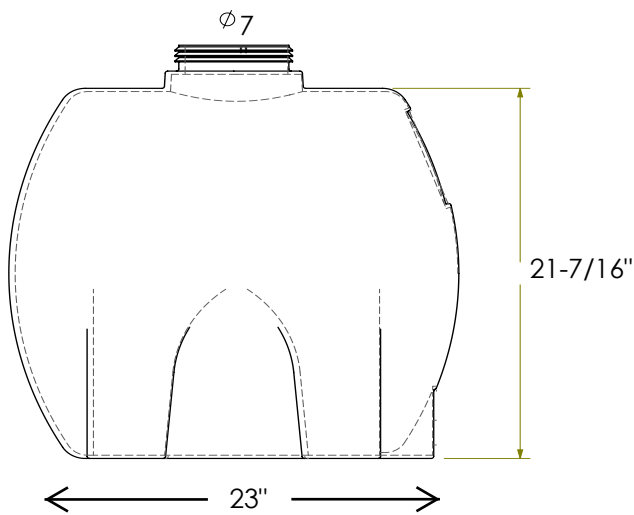
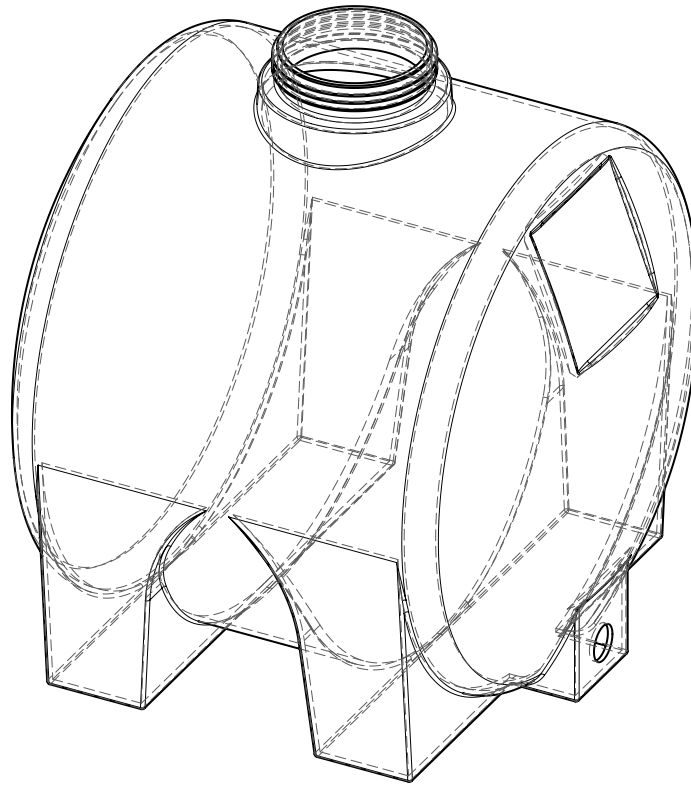


# 25 Gal. Low Profile Tank

REV.  
P0



Imp Gal	25
Litres	115
US Gal	30

Shrinkage: 3% / All dimensions are  $\pm 1$



2530-39th Street N.  
Lethbridge, AB T1H 5J2

**FLEXAHOPPER PLASTICS LTD**