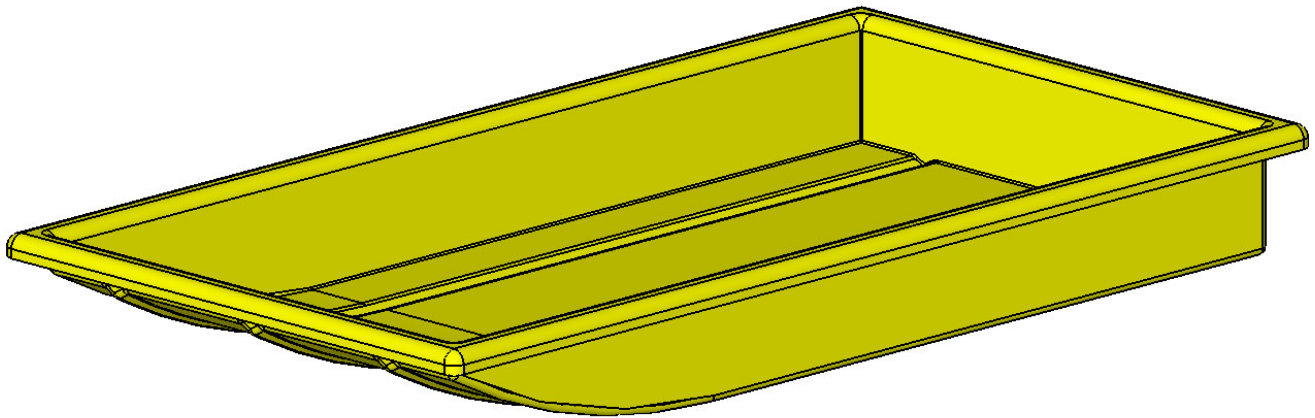
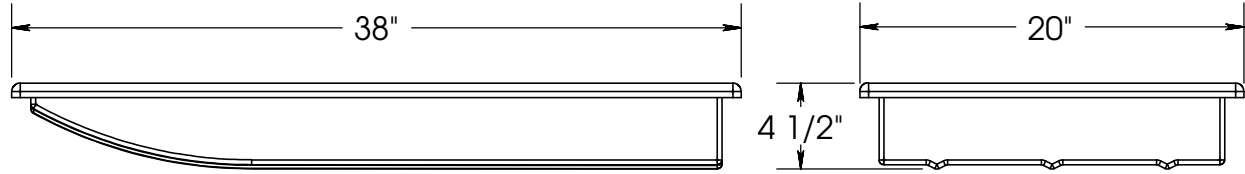


Small Calf Sled



Shrinkage: 3% / All dimensions are ± 1 "



FLEXAHOPPER PLASTICS LTD

2530 39th ST N, Lethbridge Alberta CANADA T1H 5J2
Tol Free: 888-328-8176 Tel: 403-328-8146 Fax: 403-328-8476
Email: email@flexahopper.com
www.flexahopper.com